

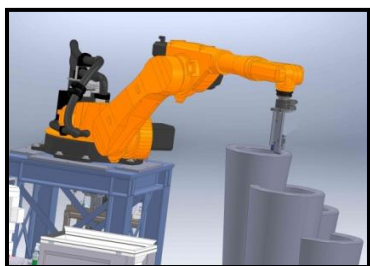
IMPRIMERE

BIG 3D PRINTER

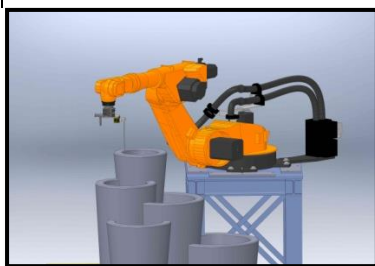


3D Concrete-Printer ROB

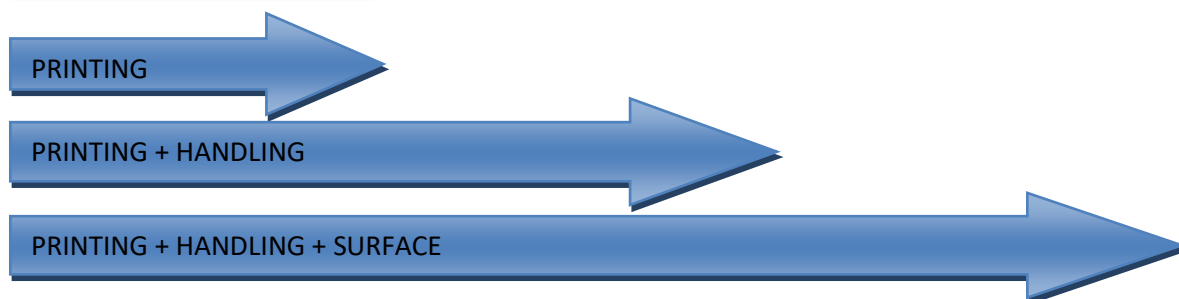
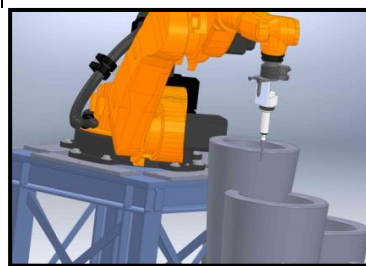
Printing of complicated
CONCRETE-parts with CAM –
Software from 3D-models



Automated insertion of
reinforcement bars and
anchor-points



Robot machining of the Surface:
Floating, levelling out and
milling



SPACE

REQUIREMENTS:

Length: 10.00 m

Width: 6.00 m

Height: 4.50 m

PRINTABLE AREA:

Length: 2.70 m

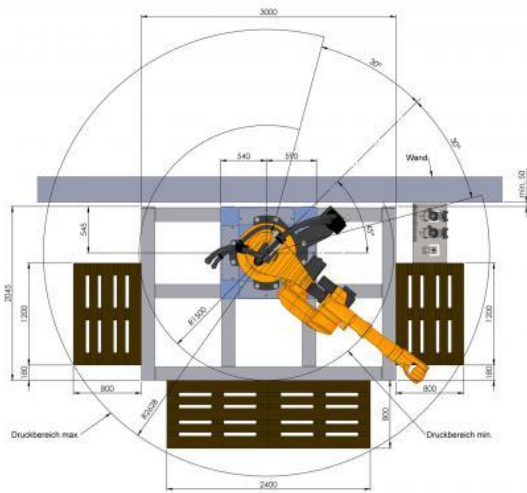
Width: 2.70 m

Height: 2.00 m

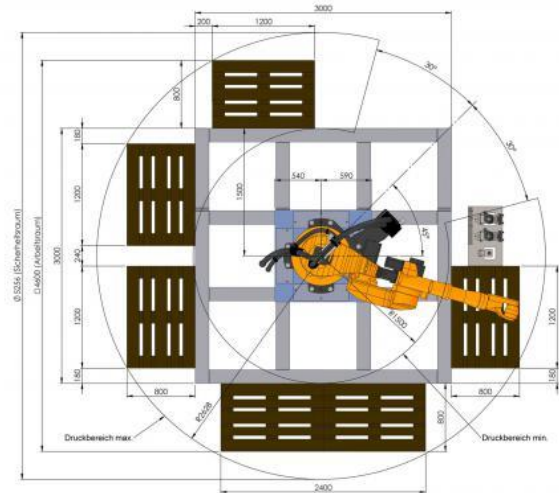
THE NEW GENERATION OF MACHINES FOR CONCRETE-PROCESSING

IMPLEMENTATION

WALL:



FREE:



PRINTABLE OBJECTS



CONTACT:

Imprimere AG
Industriezone Schächenwald
6460 Altdorf

Simon Steinegger
CEO
simon.steinegger@imprimere.ch
+41 79 615 75 63

The BIG 3D-Printer got developed for Imprimere AG by

